

PBDR10 Series

10 WATTS - AC/DC DIN RAIL MOUNTABLE - INDUSTRIAL CONTROL

AC/DC DIN RAIL MOUNTABLE

FEATURES

- Universal input 90 - 256VAC
- DC input voltage 120-370Vdc
- Compact and robust design with easy mounting on TS35 Din-Rail
- High efficiency up to 76%
- Short circuit protection
- Internal input filter
- Operational temperature between -20°C to +71°C
- Local and international Approvals; C-Tick, CE, UL, cUL, TUV



SPECIFICATIONS

INPUT	
Input voltage range	90-264VAC
Input current	Vi: 115/230VAC, 200/130mA
Line frequency	47-63Hz
Inrush current	Vi: 115/230VAC, 10/18A
Power dissipation	5V 4.0W, 12V 3.4W, 15V 3.3W, 24V 2.8W
Leakage current	Input-Output 0.25mA Input-FG 3.5mA
OUTPUT	
Voltage range	-10 to +15% of Vi nom +20% on 24V models
Hold-up time	Vi: 115/230VAC, 25/100ms
Ripple and noise	BW = 20MHz, 50 mV
Capacitor ILoad	3500µf
ENVIRONMENTAL	
Storage temperature	-25 to +85°C
Relative humidity	20-95%
Isolation voltage	Input-Output at 3000VAC/VDC Input-FG 1500VAC
Ambient temperature	-20°C to +71°C
Derating	From +61°C to +71°C, 2.5% per °C
Temperature coefficient	±0.03%/°C

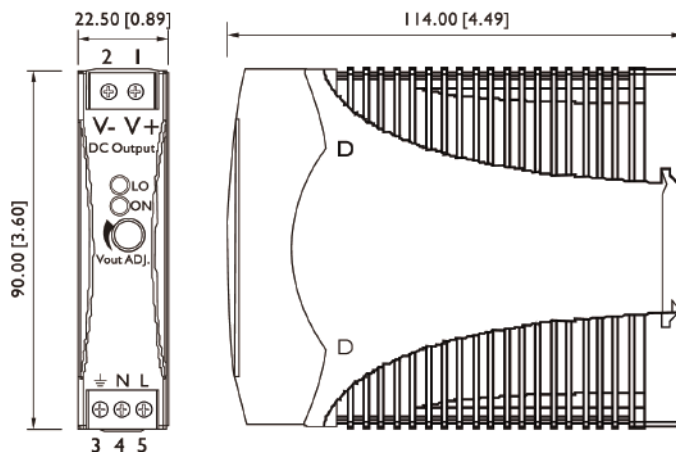
Cooling	Free air convection
Dimensions	90 x 22.5 x 115 mm
GENERAL	
Efficiency	73% - 76% typical, model dependant
Switching frequency	132KHz
Weight	120g
STANDARDS	
Safety standards	UL508 Listed, UL60950-1, UL1310 Class 2 Power Recognised ISA 12.12.01 (Class 1, Division 2, Groups A,B,C and D)
C tick	AS/NZ CISPR11 Group 1, Class A
EMI standards	EN 61000-6-3 EN 55022 Class B EN 61000-3-2, 3-3, EN 61000-3-3

SELECTION TABLE

MODEL NUMBER	OUTPUT	POWER
PBDR10S05-A*	+ 5 V 2000 mA	10W
PBDR10S12-A*	+ 12V 840 mA	10W
PBDR10S15-A	+ 15 V 670 mA	10W
PBDR10S24-A*	+ 24 V 420 mA	10W

* Non indent item

MECHANICAL & PIN CONFIGURATION



CONSTRUCTION

Easy snap-on mounting onto the DIN-Rail (TS35/7.5 or TS35/15), unit sits safely and firmly on the rail.

INSTALLATION

Ventilation / Cooling
Normal convection
All sides 25mm free space
For cooling recommended
Connector size range
Screw terminal:
AWG26-12 (0.2~2.5mm²) flexible / solid cable, connector can withstand torque at maximum 5 pound-inches.
4~5 m/m stripping at cable end recommends
Use copper conductors only, 60 / 75°C

GENERAL TOLERANCE	
0.00[0.00] - 30.00[1.18]	±0.30[0.01]
30.00[1.18] - 120.00[4.72]	±0.50[0.02]